



MobiVib®

REDEFINE VIBRATION DATA COLLECTION

ABOUT MobiVib®

Vibration Testing Simplified

MobiVib® KIT enables on-the-spot vibration measurement and spectrum analysis.

The app can be interfaced with a high-resolution digital, broad-frequency piezoelectric accelerometer, or any other Integrated Circuit Piezoelectric (ICP) sensor using USB interface.





Powerful & Affordable

Perform instant vibration measurements and spectral analysis and get an idea of your asset's health.

Record and send data to off-site specialists

01 Faster Execution Time

Off-line vibration data acquisition has never been easier as measures are taken faster with the application's intuitive and user-friendly interface, and it provides more flexibility in terms of data acquisition.

02 The Power of Cutting Edge Technologies

Get higher performances with the latest mobile devices specs, as the application is compatible with the latest Android versions, and is on continuous integration of new devices.

03 Sharing and Remote Monitoring Capabilities

Get more information out of vibration data by sharing it with remote experts. The application in compliance with **I-SENSE®** makes it even easier to perform analysis and get recommendations, helping you keep an eye on all of your assets.

04 Instant Vibration Analysis and AI

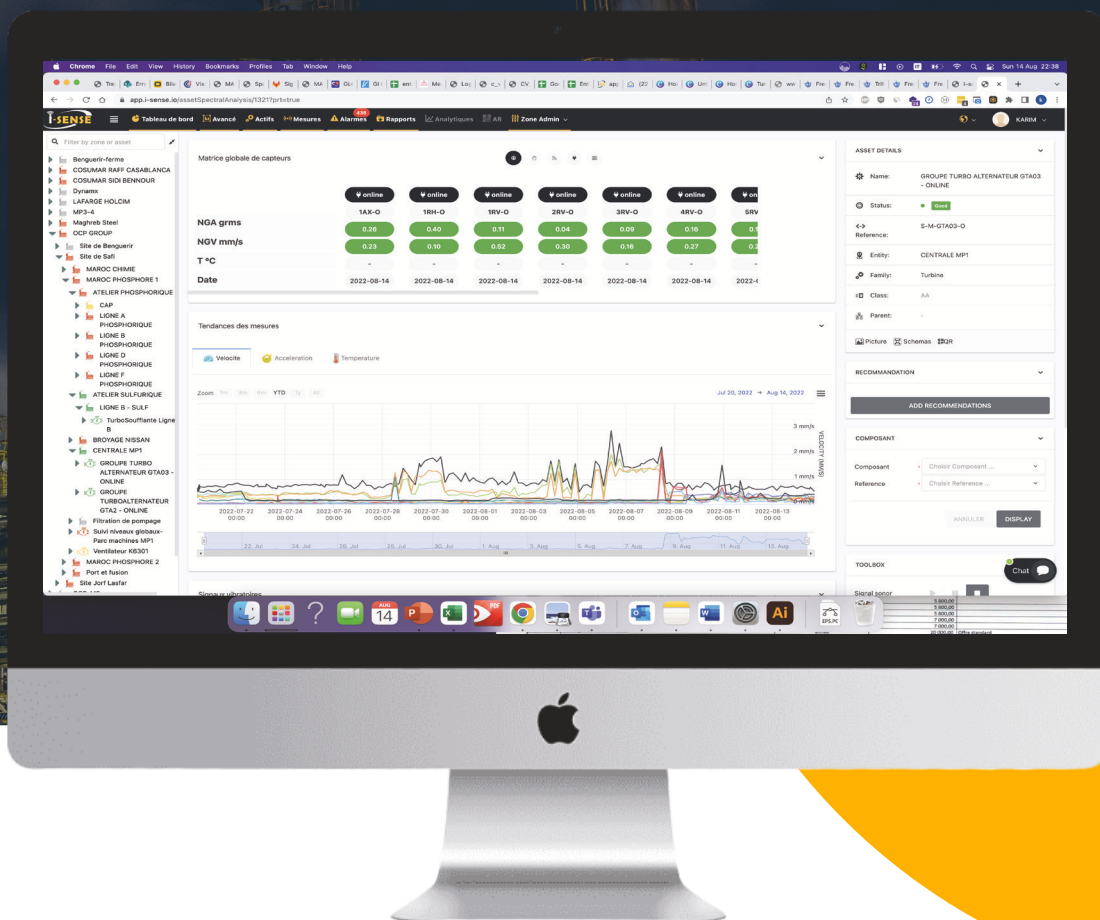
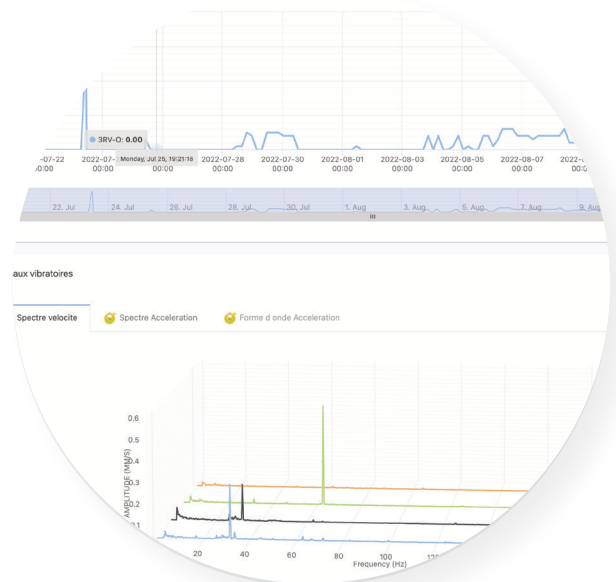
Perform instant vibration measurement and spectral analysis and get on-the-spot alarms and notifications upon syncing data with the **I-SENSE®** platform.



Integration with I-SENSE®

Get more features and capabilities by connecting to the I-SENSE® platform

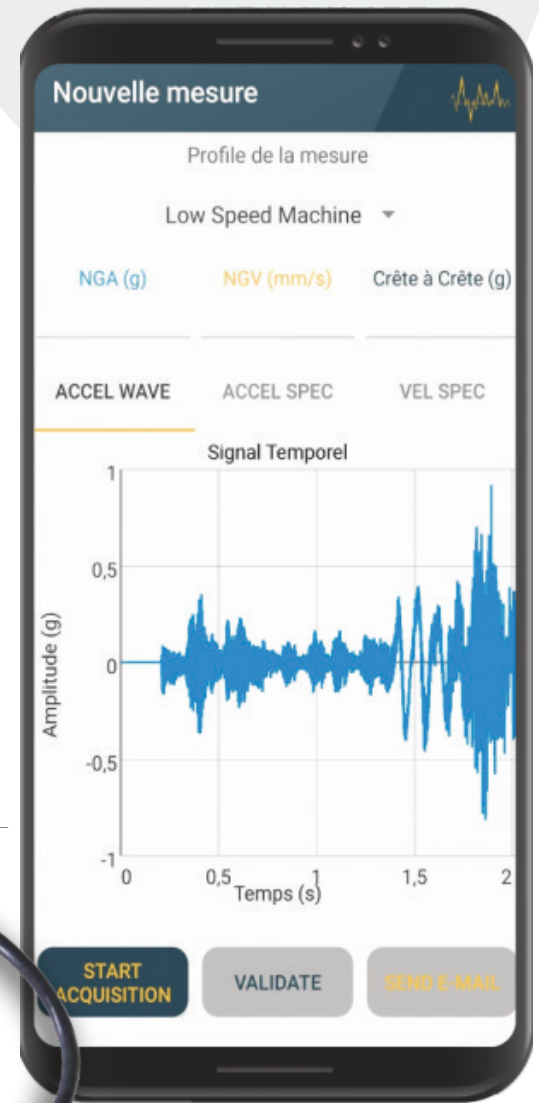
- ✓ Easy access to the database of all assets, measurement and alarm history wherever you are, whatever device you use.
- ✓ Automatically generate measurement reports daily or weekly.
- ✓ Access to the equipment data : Thresholds schemas, photos, characteristics, components ...
- ✓ Access to an advanced spectral analysis toolbox to better diagnose the condition of your equipment.



Main Features

Mobile app

- Vibration acquisition up to 8 kHz
- Visualize and store measurements data
- Export signals locally or share them via email
- Collect more inspection data (images, descriptions ...)
- USB plug-and-play capability
- Display FFT spectra on mobile device
- Fast and reliable acceleration, velocity, and demodulation spectrum



Spare Parts

Digital Vibration Sensor

Magnetic Mounting Base

Mobile Device

Case

Digital USB 2-Channel Acquisition Hardware for Balancing (Optional)

Bluetooth Connector (Coming Soon)

Technical Specifications

Performance, Mechanical, and Electrical Information

SENSITIVITY		
Channel A	4.00 % FSV/g	
Channel B	7.96 % FSV/g	
Measurement Range		
Channel A	± 20 g pk	± 196 m/s ² pk
Channel B	± 10 g pk	± 98 m/s ² pk
ADC Bandwidth (-3 dB)	9.3 cpm to 1 374 000 cpm	0.155 Hz to 22 900 Hz
Frequency Range (±5%)	120 cpm to 480 000 cpm	2 Hz to 8 000 Hz
Frequency Range (±10%)	90 cpm to 660 000 cpm	1.5 Hz to 11 000 Hz
Frequency Range (±3dB)	54 cpm to 900 000 cpm	0.9 Hz to 15 000 Hz
Resonant Frequency	≥ 1 500 000 cpm	≥ 25 000 Hz
Mounted Resonance	1 044 000 cpm	17 400 Hz
Mounted Resonance Amplification	200 %	
Broadband Resolution (1 Hz to 10 000 Hz)	0.0025 g pk	0.0245 m/s ² pk
Non-Linearity	≤ 2 %	
Transverse Sensitivity	≤ 5 %	

Electrical

Overload Limit (Shock)	7 000 g pk	68 647 m/s ² pk
Temperature Range	14 °F to 158 °F	-10 °C to + 70 °C
Temperature Coefficient	0.10 % / °F	0.18 % / °C

Environmental

Communication Standard	USB 2.0 Full Speed	
Power Consumption	≤ 45 mA	
Internal ADC	24-bit	
Supported Sample Rates		
24-bit	48, 44.1, 32, 22.05, 16, 11.025, 8.0 KHz	
16-bit	48, 44.1, 32, 22.05, 16, 11.025, 8.0 KHz	

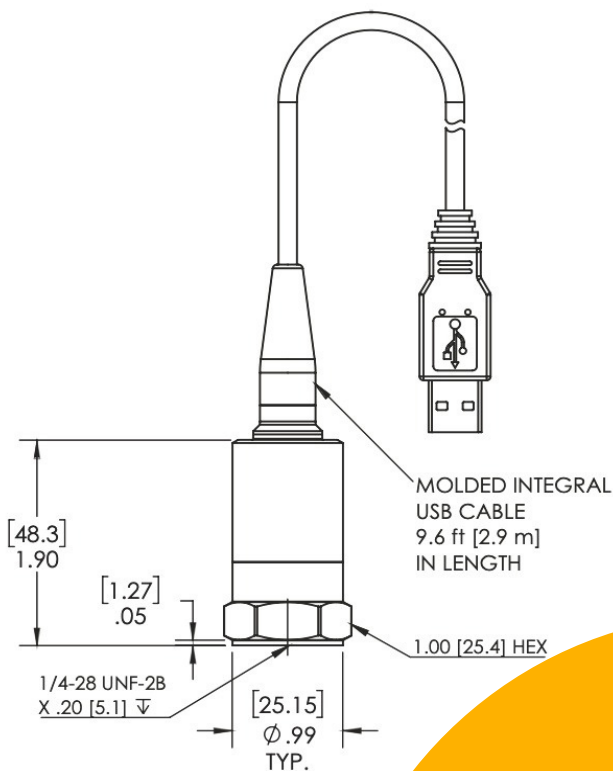


Technical Specifications

Performance, Mechanical, and Electrical Information

Mechanical

Size - Hex	1.0 in	25.4 mm
Size - Height	2.6 in	66.0 mm
Weight	4.62 oz	131 grams
Mounting Thread	1/4-28 UNF	
Mounting Torque	2 lbf-ft to 5 lbf-ft	2.7 N·m to 6.8 N·m
Sensing Element	Piezoelectric Ceramic	
Sensing Geometry	Shear	
Housing Material	Stainless Steel	
Sealing	Welded Hermetic	
Electrical Connector	USB Type A Male	
Elec. Conn. Position	Top	
Cable Length	9.6 ft	2.9 m





Get In Touch

OCP Maintenance Solutions, OCP SA Route Jorf Lyoudi

B.P 46 030 Safi, Morocco

E : contact@ocp-ms.com

w : www.ocp-ms.com / www.i-sense.io